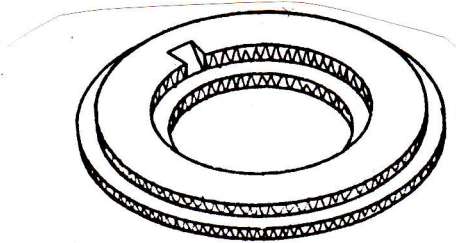


INSTALLATION INSTRUCTIONS DRANJER™ J-N6 New Installation Floor Drain

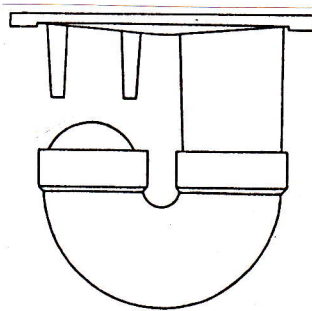
The New Installation Dranjer™ consists of two parts:

1. The retaining ring



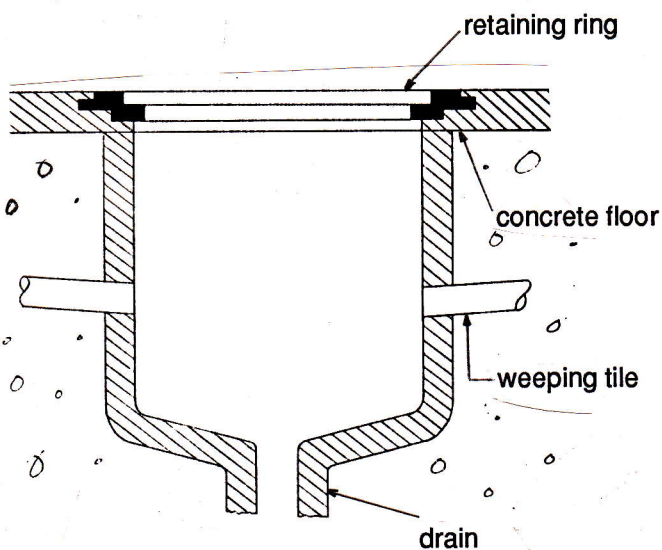
not to scale

2. The Dranjer™

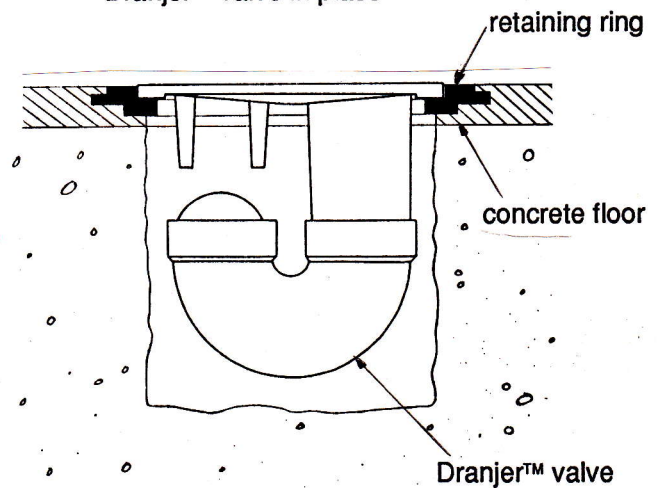


This type of Dranjer™ is designed for use in open, or catch-basin type floor drains. The retaining ring, set in the concrete basement floor slab as it is poured, provides a solid airtight seat for the Dranjer™ valve.

catch-basin drain
with retaining ring set



open drain with
retaining ring set and
Dranjer™ valve in place



not to scale

OVER

INSTALLATION INSTRUCTIONS

DRANJER MODEL J-N6

New Installation:

1. Ensure the opening in the floor is large enough for the Dranjer J-N6 to fit inside.
2. Set the retaining ring into the wet concrete. **Make sure** the notched side of the retaining ring is up and is set flush with the floor. The notch is used to pry the J-N6 out of the retaining ring if necessary.
3. Do not put the J-N6 into the retaining ring until that concrete holding the retaining ring has set. When installing the valve, use petroleum jelly or another light grease to seal the valve into the ring.
4. Prime the unit with water.

Retrofit:

Under most conditions where the existing drain is similar in size to the J-N6, retrofit installation of this product will take about 1/2 hour.

1. Chip out the old retaining ring using a cold chisel. Wear safety glasses to protect your eyes from concrete chips and dust.
2. Chip away enough concrete to allow the new retaining ring to fit flush with your floor surface and to provide a clean working surface.
3. Set the retaining ring using a concrete patching compound such as Bondex Quickplug or a similar commercial product sold at hardware stores.
4. **Allow the retaining ring to set completely** before installing the J-N6.
5. Drains that are slightly oversize may be built up using concrete patching compounds. Drains that are slightly too small may be enlarged using a cold chisel. Do not attempt to retrofit this product if the existing drain is significantly different in size from the J-N6 retaining ring.

**DRANJER
CORPORATION**

Protecting your Family's Health

Printed in Canada