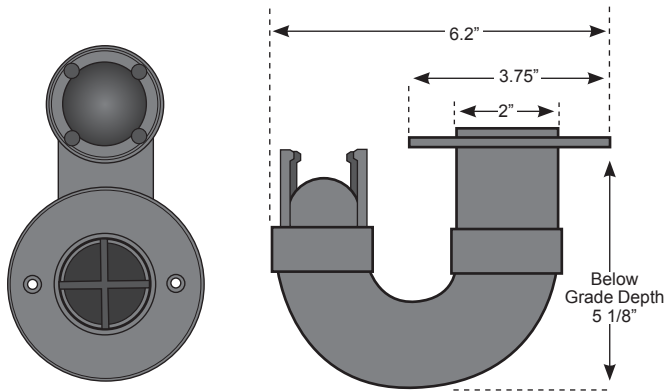


# STANDARD MODEL SPECIFICATIONS

## Dranjer™ Sump and Floor Seals

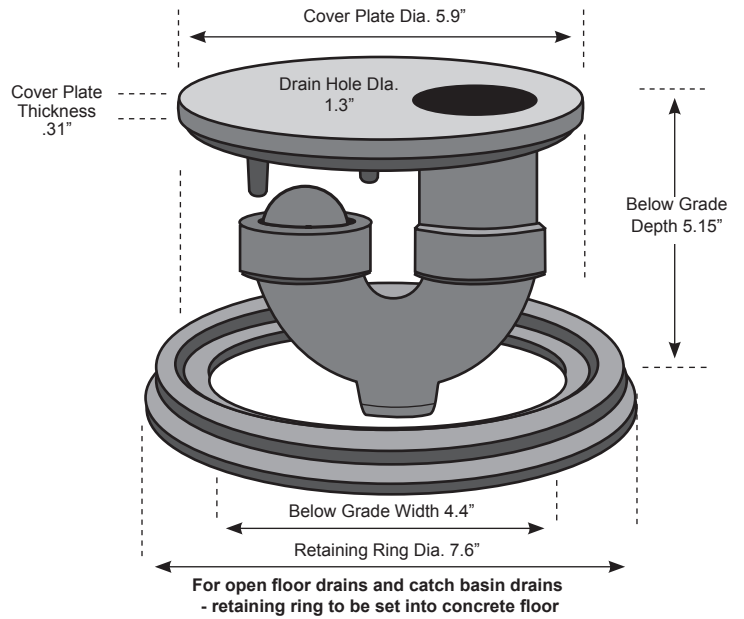
### Model JS15 SUMP LARGE



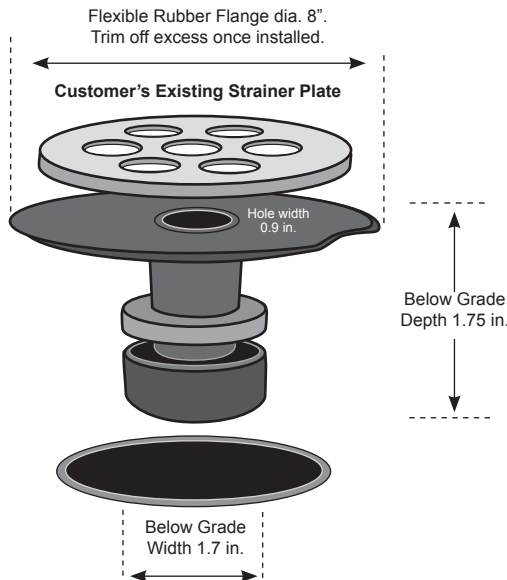
Fits into and becomes part of your sump cover. It is a one way valve that allows water to flow into the sump but prevents Radon Gas, soil gas, insects and odours from entering your living environment.

Installing the JS15 requires cutting a 2-inch hole in your sump cover. The JS15 sump valve then fastens to the underside of the sump cover using the alignment collar which protrudes around the top of the JS15.

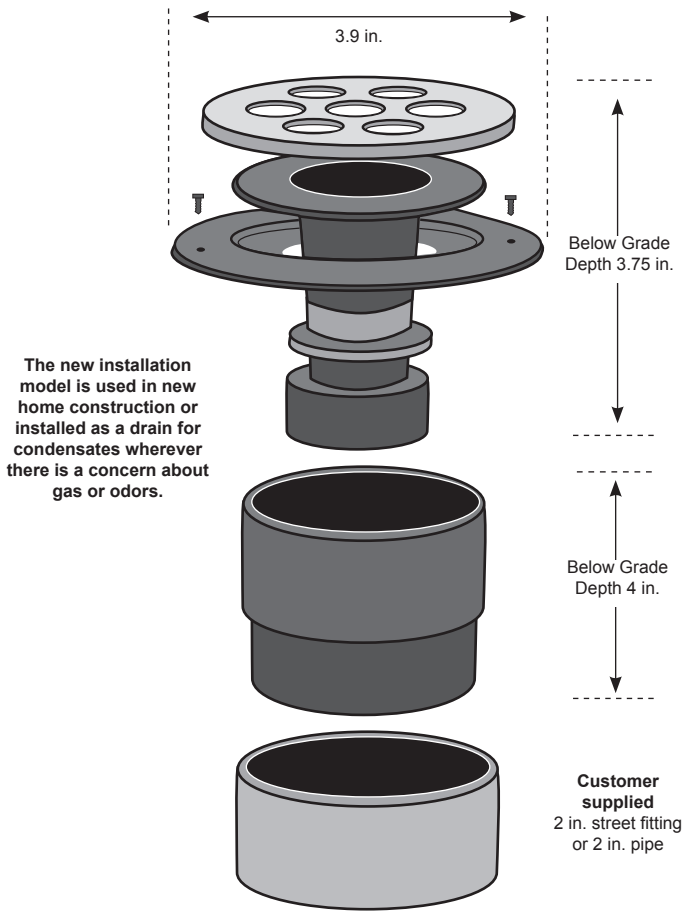
### Model JN6 DRAIN RETROFIT & NEW INSTALLATION



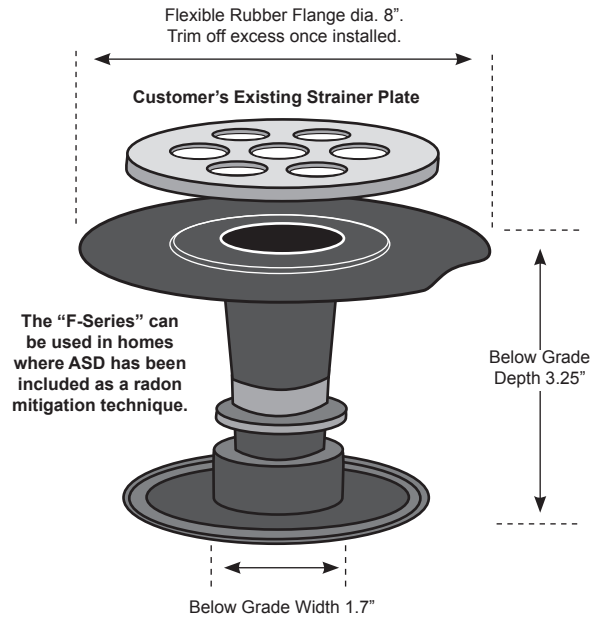
### Model DR2 SMALL DRAIN RETROFIT



## Model FN2 DRAIN NEW INSTALLATION



## Model FR2 DRAIN RETROFIT



## Model FS2 SUMP SMALL

